

Adjustment plates

for bull's eye levels GN 2277

SPECIFICATION

Stainless AISI 303 NI

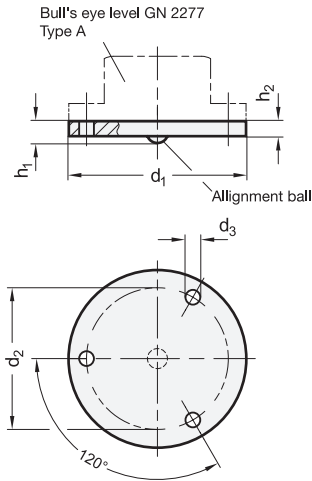
INFORMATION

Adjustment plates GN 2277.1 are used in combination with bull's eye levels GN 2277 (Type A) (see page 680).

The mounting bore holes offset by 120° allow the bull's eye levels and the mounting plate to be aligned in relation to the mounting surface. An alignment ball at the bottom surface of the adjustment plate serves as tilting point. Specific tightening torques of the bolts allow to be achieved, so that the bubble is located inside the marking ring once the horizontal alignment is reached.

TECHNICAL INFORMATION

- Stainless Steel characteristics (see page A26)



Bull's eye levels

for insertion into bore holes

SPECIFICATION

Sensitivity

Type **30**: Angle minutes, bubble move by 2mm

Housing

Aluminium

anodized, natural colour **ALN**

anodized, black **ALS**

Spirit level element

Glass plastic body

Filling

colourless-transparent **K**

Casting compound

mineral-based

INFORMATION

Bull's eye levels GN 2278 are used to check the horizontal position of jigs, machines, devices, appliances and instruments.

The housing is grooved at its lower diameter d₃, making it easier to mount in place, e.g. by gluing.

The spirit levels are aligned in relation to the reference or contact surface, so that the bubble is located inside the marking ring once the horizontal position of the contact surface is reached.

ON REQUEST

- Filling, green-transparent
- Other sensitivities
- Housing in brass or Stainless Steel



GN 2278

GN 2277.1

STAINLESS STEEL

Description	d1	d2	d3	h1	h2	△
GN 2277.1-NI-20	20	17	1.8	3.2	1.2	3
GN 2277.1-NI-25	25	21	2.2	3.2	1.2	5
GN 2277.1-NI-30	30	24	3.2	3.2	1.2	7
GN 2277.1-NI-40	40	34.5	3.2	3.2	1.2	12
GN 2277.1-NI-50	50	43	3.2	3.2	1.2	19

Description	d1	d2	d ₃ -0.2	h1	h2	△
GN 2278-ALN-20-K-30	20	12	18	10	8	4
GN 2278-ALS-20-K-30	20	12	18	10	8	4
GN 2278-ALN-25-K-30	25	14	20	12	9	4
GN 2278-ALS-25-K-30	25	14	20	12	9	4
GN 2278-ALN-30-K-30	30	20	28	13	10	7
GN 2278-ALS-30-K-30	30	20	28	13	10	7